

# SupIR 50-700mm f/5.5, Motorized Continuous Zoom 680472



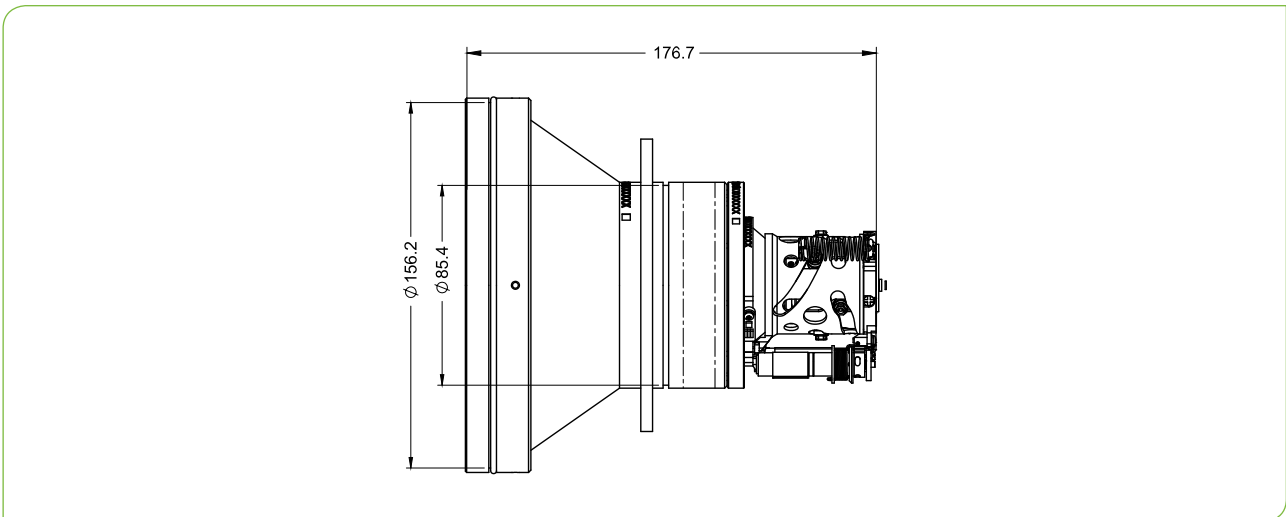
## WFOV(50mm)

HFOV	640x512
15μ	10.9°

## NFOV(700mm)

HFOV	640x512
15μ	0.8°

Property	Value	
<b>Optical</b>	<b>WFOV</b>	<b>NFOV</b>
Focal Length	50mm	700mm
F/#	5.5	
Average Transmission (3.7-4.7μm)	>80% (HC)	
Cold Stop to FPA Distance	19.7mm	
Cold Stop CA	Ø3.52mm	
Back Focal Length	23.52 mm in air	
Minimum Focus Range	1m	33m
Nuc (by defocus)	Yes	
<b>Mechanical</b>		
Focus Mechanism	Motorized	
Focus Time (minimum range to ∞)	≤8 sec.	
Zoom Mechanism	Motorized	
Zoom Time (NFOV to WFOV)	≤5 sec.	
Weight	1.64 kg	
Max. Dimensions	Ø156.2 x 176.7mm	



MWIR | ZOOM

Property	Value
<b>Electrical</b>	
Lens Control	Designated Lens Controller
Supply Voltage	12V
Current Consumption	0.5A average, 1.0A peak at T = -32°C; 0.2A average, 1.0A peak at T ≥ 20°C
Communication Protocol	RS485, RS422
<b>Environmental</b>	
Operating Temperature	-32°C to + 70°C
Storage Temperature	-40°C to + 80°C
Sealing	IP67 front element only
<b>Configurations</b>	
680472-001	High Durability
680472-002	Low Reflection Hard Carbon**

\* NOTE: The ICD drawing provided here is primarily a representation and may not accurately reflect the product's actual dimensions and specifications. For precise integration specifications contact your local sales representative.

\*\* For detailed LRHC coating specifications see page 13.